

# 自在水路（水路型）

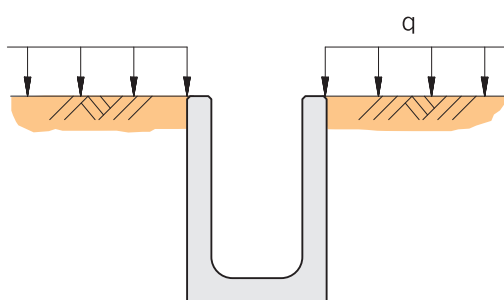
製品名称：TFC-C



## 設計条件

### ① 載荷重

$q=10\text{kN/m}^2$



上記以外の設計条件で製品の安定が保てない場合、底版を突出することができます。但し、突出しても安定が保てない場合、突き出し鉄筋により、底版突出部を現場打ちコンクリートにて対応ができます。

### ② 土質条件、その他

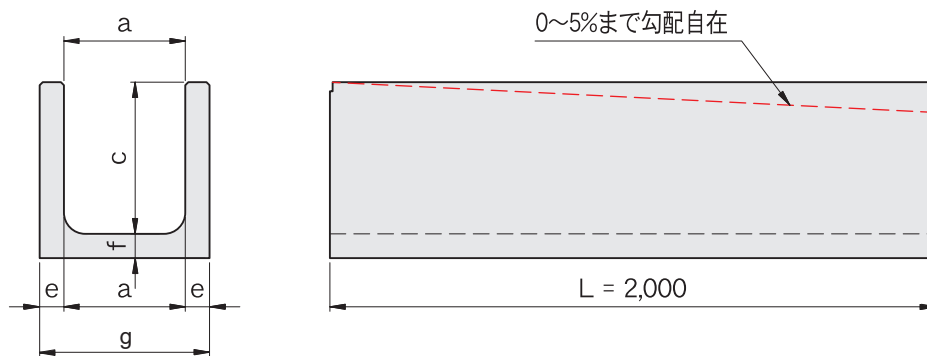
- ・土の単位体積重量  $\gamma_d = 19\text{kN/m}^3$
- ・土の内部摩擦角  $\phi = 30^\circ$
- ・土とコンクリートの摩擦角  $\delta = 20^\circ$
- ・鉄筋コンクリートの単位体積重量  $\gamma_c = 24.5\text{kN/m}^3$
- ・土圧計算は、試行くさび法による。

### ③ 許容応力度

- ・コンクリート
  - 設計基準強度  $\sigma_{ck} = 30\text{N/mm}^2$
  - 許容曲げ圧縮応力度  $\sigma_{ca} = 11\text{N/mm}^2$
  - 許容せん断応力度  $\tau_{ca} = 0.5\text{N/mm}^2$
- ・鉄筋
  - 許容引張応力度 (SR235)  $\sigma_{sa} = 137\text{N/mm}^2$
  - 許容引張応力度 (SD295)  $\sigma_{sa} = 176\text{N/mm}^2$
  - 許容引張応力度 (SD345)  $\sigma_{sa} = 196\text{N/mm}^2$
  - ヤング係数比  $n = 15$

上記設計条件以外は別途ご相談ください。

# 形状寸法及び製品質量



※ 呼び名 CF：天端フラット製品 CS：天端勾配製品

| 呼び名           | 形状寸法(mm) |       |     |     |       | 製品質量(kg/本) |     |     |       |
|---------------|----------|-------|-----|-----|-------|------------|-----|-----|-------|
|               | a        | c     | e   | f   | g     |            |     |     |       |
| 30 × 30CF(S)  | 300      | 300   | 100 | 100 | 500   | 559        |     |     |       |
| 30 × 40CF(S)  |          | 400   |     |     |       | 659        |     |     |       |
| 30 × 50CF(S)  |          | 500   |     |     |       | 759        |     |     |       |
| 30 × 60CF(S)  |          | 600   |     |     |       | 857        |     |     |       |
| 30 × 70CF(S)  |          | 700   |     |     |       | 957        |     |     |       |
| 30 × 80CF(S)  |          | 800   |     |     |       | 1,057      |     |     |       |
| 30 × 90CF(S)  |          | 900   |     |     |       | 1,157      |     |     |       |
| 30 × 100CF(S) |          | 1,000 |     |     |       | 1,257      |     |     |       |
| 30 × 110CF(S) |          | 1,100 |     |     |       | 1,356      |     |     |       |
| 30 × 120CF(S) |          | 1,200 |     |     |       | 1,456      |     |     |       |
| 30 × 130CF(S) |          | 1,300 |     |     |       | 125        | 125 | 550 | 1,976 |
| 30 × 140CF(S) |          | 1,400 |     |     |       |            |     |     | 2,100 |
| 30 × 150CF(S) | 1,500    | 2,224 |     |     |       |            |     |     |       |
| 30 × 160CF    | 1,600    |       |     |     | 2,350 |            |     |     |       |
| 40 × 30CF(S)  | 400      | 300   | 100 | 100 | 600   | 609        |     |     |       |
| 40 × 40CF(S)  |          | 400   |     |     |       | 709        |     |     |       |
| 40 × 50CF(S)  |          | 500   |     |     |       | 807        |     |     |       |
| 40 × 60CF(S)  |          | 600   |     |     |       | 907        |     |     |       |
| 40 × 70CF(S)  |          | 700   |     |     |       | 1,007      |     |     |       |
| 40 × 80CF(S)  |          | 800   |     |     |       | 1,107      |     |     |       |
| 40 × 90CF(S)  |          | 900   |     |     |       | 1,207      |     |     |       |
| 40 × 100CF(S) |          | 1,000 |     |     |       | 1,306      |     |     |       |
| 40 × 110CF(S) |          | 1,100 |     |     |       | 1,406      |     |     |       |
| 40 × 120CF(S) |          | 1,200 |     |     |       | 1,506      |     |     |       |
| 40 × 130CF(S) |          | 1,300 |     |     |       | 125        | 125 | 650 | 2,037 |
| 40 × 140CF(S) |          | 1,400 |     |     |       |            |     |     | 2,163 |
| 40 × 150CF(S) |          | 1,500 |     |     |       |            |     |     | 2,287 |
| 40 × 160CF(S) |          | 1,600 |     |     |       |            |     |     | 2,412 |
| 40 × 170CF(S) |          | 1,700 |     |     |       | 150        | 150 | 700 | 3,081 |
| 40 × 180CF(S) |          | 1,800 |     |     |       |            |     |     | 3,230 |
| 40 × 190CF(S) |          | 1,900 |     |     |       |            |     |     | 3,380 |
| 40 × 200CF    |          | 2,000 |     |     |       |            |     |     | 3,530 |

- ※ 壁部に5%まで勾配を付ける事が可能です。(   は勾配不可)
- ※ 勾配付き製品は、部材厚を製造する最大サイズに合わせる場合がございます。
- ※ 防草機能付き製品は、内幅300~600mmが対象となります。



**防草タイプもございます。** 防草機能について → P.3、P.119

防草機能付き製品は、内幅300~600mmが対象となります。

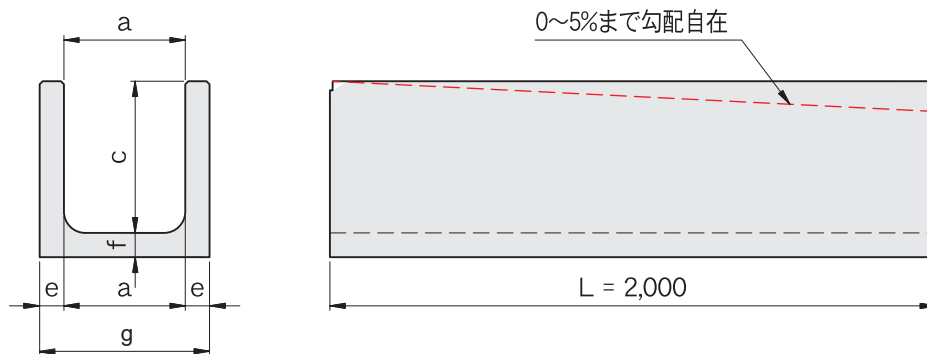


**防草タイプもごさいます。** 防草機能について→P.3、P.119

防草機能付き製品は、内幅300~600mmが対象となります。

※ 呼び名 CF：天端フラット製品 CS：天端勾配製品

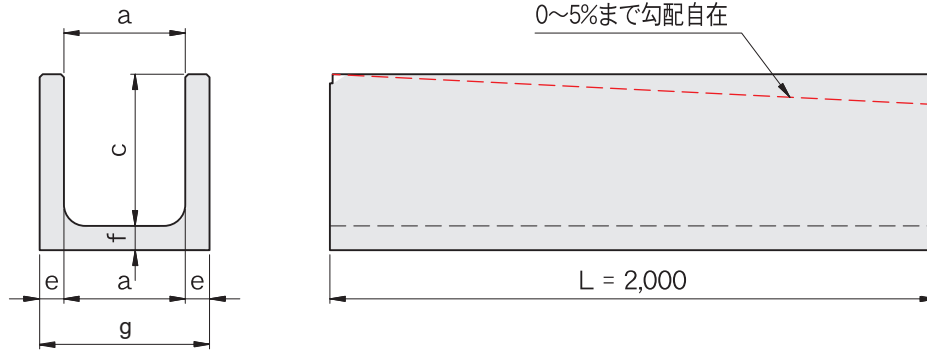
| 呼び名           | 形状寸法(mm) |       |       |     |       | 製品質量<br>(kg/本) |     |     |       |
|---------------|----------|-------|-------|-----|-------|----------------|-----|-----|-------|
|               | a        | c     | e     | f   | g     |                |     |     |       |
| 45 × 30CF(S)  | 450      | 300   | 100   | 100 | 650   | 633            |     |     |       |
| 45 × 40CF(S)  |          | 400   |       |     |       | 733            |     |     |       |
| 45 × 45CF(S)  |          | 450   |       |     |       | 783            |     |     |       |
| 45 × 50CF(S)  |          | 500   |       |     |       | 833            |     |     |       |
| 45 × 60CF(S)  |          | 600   |       |     |       | 933            |     |     |       |
| 45 × 70CF(S)  |          | 700   |       |     |       | 1,033          |     |     |       |
| 45 × 80CF(S)  |          | 800   |       |     |       | 1,132          |     |     |       |
| 45 × 90CF(S)  |          | 900   |       |     |       | 1,232          |     |     |       |
| 45 × 100CF(S) |          | 1,000 |       |     |       | 1,332          |     |     |       |
| 45 × 110CF(S) |          | 1,100 |       |     |       | 1,432          |     |     |       |
| 45 × 120CF(S) |          | 1,200 |       |     |       | 1,532          |     |     |       |
| 45 × 130CF    |          | 1,300 |       |     |       | 1,631          |     |     |       |
| 50 × 30CF(S)  |          | 500   |       |     |       | 300            | 100 | 100 | 700   |
| 50 × 40CF(S)  | 400      |       | 759   |     |       |                |     |     |       |
| 50 × 50CF(S)  | 500      |       | 857   |     |       |                |     |     |       |
| 50 × 60CF(S)  | 600      |       | 957   |     |       |                |     |     |       |
| 50 × 70CF(S)  | 700      |       | 1,057 |     |       |                |     |     |       |
| 50 × 80CF(S)  | 800      |       | 1,157 |     |       |                |     |     |       |
| 50 × 90CF(S)  | 900      |       | 1,257 |     |       |                |     |     |       |
| 50 × 100CF(S) | 1,000    |       | 1,356 |     |       |                |     |     |       |
| 50 × 110CF(S) | 1,100    |       | 1,456 |     |       |                |     |     |       |
| 50 × 120CF(S) | 1,200    |       | 1,556 |     |       |                |     |     |       |
| 50 × 130CF(S) | 1,300    |       | 125   | 125 | 750   | 2,100          |     |     |       |
| 50 × 140CF(S) | 1,400    |       |       |     |       | 2,224          |     |     |       |
| 50 × 150CF    | 1,500    |       |       |     |       | 2,350          |     |     |       |
| 60 × 30CF(S)  | 600      | 300   | 100   | 100 | 800   | 719            |     |     |       |
| 60 × 40CF(S)  |          | 400   |       |     |       | 819            |     |     |       |
| 60 × 50CF(S)  |          | 500   |       |     |       | 919            |     |     |       |
| 60 × 60CF(S)  |          | 600   |       |     |       | 1,018          |     |     |       |
| 60 × 70CF(S)  |          | 700   |       |     |       | 1,118          |     |     |       |
| 60 × 80CF(S)  |          | 800   |       |     |       | 1,218          |     |     |       |
| 60 × 90CF(S)  |          | 900   |       |     |       | 1,318          |     |     |       |
| 60 × 100CF(S) |          | 1,000 |       |     |       | 1,418          |     |     |       |
| 60 × 110CF(S) |          | 1,100 |       |     |       | 1,517          |     |     |       |
| 60 × 120CF(S) |          | 1,200 |       |     |       | 1,617          |     |     |       |
| 60 × 130CF(S) |          | 1,300 |       |     |       | 125            | 125 | 850 | 2,173 |
| 60 × 140CF(S) |          | 1,400 |       |     |       |                |     |     | 2,298 |
| 60 × 150CF(S) |          | 1,500 |       |     |       |                |     |     | 2,423 |
| 60 × 160CF(S) | 1,600    | 2,548 |       |     |       |                |     |     |       |
| 60 × 170CF(S) | 1,700    | 150   | 150   | 900 | 3,241 |                |     |     |       |
| 60 × 180CF(S) | 1,800    |       |       |     | 3,391 |                |     |     |       |
| 60 × 190CF(S) | 1,900    |       |       |     | 3,540 |                |     |     |       |
| 60 × 200CF(S) | 2,000    |       |       |     | 3,690 |                |     |     |       |
| 60 × 210CF    | 2,100    |       |       |     | 3,840 |                |     |     |       |



※ 呼び名 CF：天端フラット製品 CS：天端勾配製品

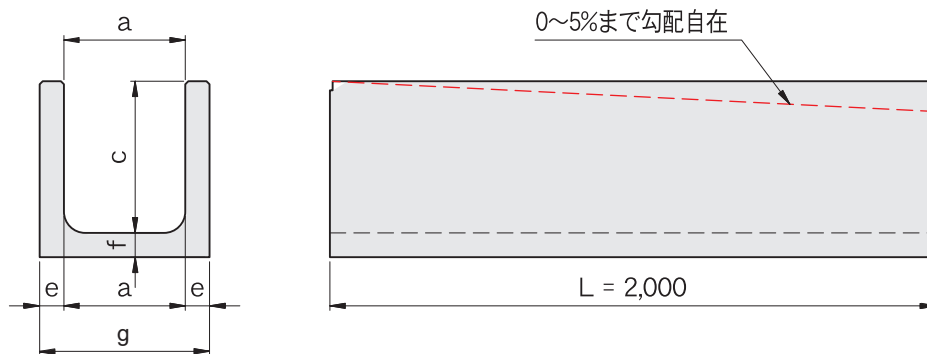
| 呼び名           | 形状寸法(mm) |       |       |       |       | 製品質量(kg/本) |
|---------------|----------|-------|-------|-------|-------|------------|
|               | a        | c     | e     | f     | g     |            |
| 70 × 30CF(S)  | 700      | 300   | 100   | 100   | 900   | 769        |
| 70 × 40CF(S)  |          | 400   |       |       |       | 869        |
| 70 × 50CF(S)  |          | 500   |       |       |       | 968        |
| 70 × 60CF(S)  |          | 600   |       |       |       | 1,068      |
| 70 × 70CF(S)  |          | 700   |       |       |       | 1,168      |
| 70 × 80CF(S)  |          | 800   |       |       |       | 1,268      |
| 70 × 90CF(S)  |          | 900   |       |       |       | 1,368      |
| 70 × 100CF(S) |          | 1,000 | 1,468 |       |       |            |
| 70 × 110CF(S) |          | 1,100 | 1,567 |       |       |            |
| 70 × 120CF(S) |          | 1,200 | 1,667 |       |       |            |
| 70 × 130CF(S) |          | 1,300 | 125   | 125   | 950   | 2,236      |
| 70 × 140CF(S) |          | 1,400 |       |       |       | 2,361      |
| 70 × 150CF(S) |          | 1,500 |       |       |       | 2,485      |
| 70 × 160CF(S) |          | 1,600 |       |       |       | 2,610      |
| 70 × 170CF(S) | 1,700    | 150   | 150   | 1,000 | 3,316 |            |
| 70 × 180CF(S) | 1,800    |       |       |       | 3,466 |            |
| 70 × 190CF(S) | 1,900    |       |       |       | 3,616 |            |
| 70 × 200CF(S) | 2,000    |       |       |       | 3,766 |            |
| 70 × 210CF    | 2,100    |       |       |       | 3,915 |            |
| 80 × 30CF(S)  | 800      | 300   | 100   | 100   | 1,000 | 819        |
| 80 × 40CF(S)  |          | 400   |       |       |       | 919        |
| 80 × 50CF(S)  |          | 500   |       |       |       | 1,018      |
| 80 × 60CF(S)  |          | 600   |       |       |       | 1,118      |
| 80 × 70CF(S)  |          | 700   |       |       |       | 1,218      |
| 80 × 80CF(S)  |          | 800   |       |       |       | 1,318      |
| 80 × 90CF(S)  |          | 900   |       |       |       | 1,418      |
| 80 × 100CF(S) |          | 1,000 | 1,517 |       |       |            |
| 80 × 110CF(S) |          | 1,100 | 1,617 |       |       |            |
| 80 × 120CF(S) |          | 1,200 | 1,717 |       |       |            |
| 80 × 130CF(S) |          | 1,300 | 125   | 125   | 1,050 | 2,298      |
| 80 × 140CF(S) |          | 1,400 |       |       |       | 2,423      |
| 80 × 150CF(S) |          | 1,500 |       |       |       | 2,548      |
| 80 × 160CF(S) |          | 1,600 |       |       |       | 2,672      |
| 80 × 170CF(S) | 1,700    | 150   | 150   | 1,100 | 3,390 |            |
| 80 × 180CF(S) | 1,800    |       |       |       | 3,540 |            |
| 80 × 190CF(S) | 1,900    |       |       |       | 3,690 |            |
| 80 × 200CF(S) | 2,000    |       |       |       | 3,840 |            |
| 80 × 210CF    | 2,100    |       |       |       | 3,990 |            |

※ 壁部に5%まで勾配を付ける事が可能です。(黄色は勾配不可)  
 ※ 勾配付き製品は、部材厚を製造する最大サイズに合わせる場合がございます。  
 ※ 防草機能付き製品は、内幅300~600mmが対象となります。



※ 呼び名 CF : 天端フラット製品 CS : 天端勾配製品

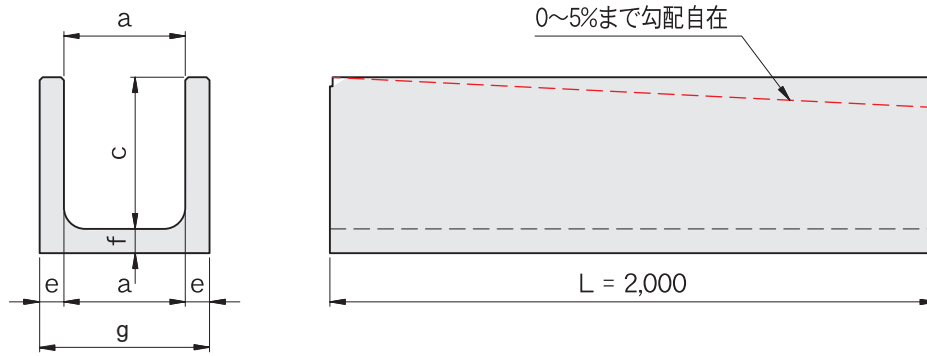
| 呼び名            | 形状寸法(mm) |       |       |       |       | 製品質量<br>(kg/本) |       |
|----------------|----------|-------|-------|-------|-------|----------------|-------|
|                | a        | c     | e     | f     | g     |                |       |
| 90 × 30CF(S)   | 900      | 300   | 100   | 100   | 1,100 | 869            |       |
| 90 × 40CF(S)   |          | 400   |       |       |       | 968            |       |
| 90 × 50CF(S)   |          | 500   |       |       |       | 1,068          |       |
| 90 × 60CF(S)   |          | 600   |       |       |       | 1,168          |       |
| 90 × 70CF(S)   |          | 700   |       |       |       | 1,268          |       |
| 90 × 80CF(S)   |          | 800   |       |       |       | 1,368          |       |
| 90 × 90CF(S)   |          | 900   |       |       |       | 1,468          |       |
| 90 × 100CF(S)  |          | 1,000 |       |       |       | 1,567          |       |
| 90 × 110CF(S)  |          | 1,100 |       |       |       | 1,667          |       |
| 90 × 120CF(S)  |          | 1,200 |       |       |       | 1,767          |       |
| 90 × 130CF(S)  |          | 1,300 |       |       |       | 125            | 125   |
| 90 × 140CF(S)  |          | 1,400 | 2,485 |       |       |                |       |
| 90 × 150CF(S)  |          | 1,500 | 2,610 |       |       |                |       |
| 90 × 160CF(S)  |          | 1,600 | 2,735 |       |       |                |       |
| 90 × 170CF(S)  |          | 1,700 | 150   | 150   | 1,200 | 3,466          |       |
| 90 × 180CF(S)  |          | 1,800 |       |       |       | 3,616          |       |
| 90 × 190CF(S)  |          | 1,900 |       |       |       | 3,766          |       |
| 90 × 200CF(S)  |          | 2,000 |       |       |       | 3,915          |       |
| 90 × 210CF     |          | 2,100 |       |       |       | 4,065          |       |
| 100 × 30CF(S)  |          | 1,000 | 300   | 100   | 100   | 1,200          | 919   |
| 100 × 40CF(S)  |          |       | 400   |       |       |                | 1,018 |
| 100 × 50CF(S)  | 500      |       | 1,118 |       |       |                |       |
| 100 × 60CF(S)  | 600      |       | 1,218 |       |       |                |       |
| 100 × 70CF(S)  | 700      |       | 1,318 |       |       |                |       |
| 100 × 80CF(S)  | 800      |       | 1,418 |       |       |                |       |
| 100 × 90CF(S)  | 900      |       | 1,517 |       |       |                |       |
| 100 × 100CF(S) | 1,000    |       | 1,617 |       |       |                |       |
| 100 × 110CF(S) | 1,100    |       | 1,717 |       |       |                |       |
| 100 × 120CF(S) | 1,200    |       | 1,817 |       |       |                |       |
| 100 × 130CF(S) | 1,300    |       | 150   |       |       |                | 150   |
| 100 × 140CF(S) | 1,400    |       |       | 3,091 |       |                |       |
| 100 × 150CF(S) | 1,500    |       |       | 3,241 |       |                |       |
| 100 × 160CF(S) | 1,600    |       |       | 3,391 |       |                |       |
| 100 × 170CF(S) | 1,700    |       |       | 3,540 |       |                |       |
| 100 × 180CF(S) | 1,800    |       | 3,690 |       |       |                |       |
| 100 × 190CF(S) | 1,900    |       | 3,840 |       |       |                |       |
| 100 × 200CF(S) | 2,000    |       | 3,990 |       |       |                |       |
| 100 × 210CF    | 2,100    |       | 180   | 180   | 1,360 | 5,019          |       |
| 100 × 220CF    | 2,200    |       |       |       |       | 5,199          |       |



※ 呼び名 CF：天端フラット製品 CS：天端勾配製品

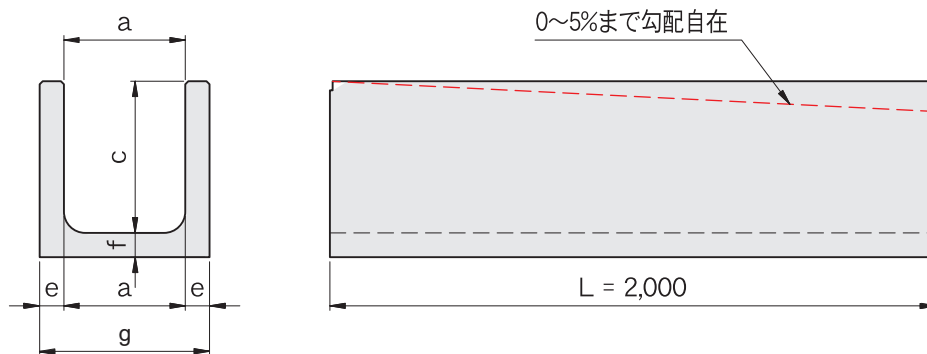
| 呼び名            | 形状寸法(mm) |       |     |     |       | 製品質量(kg/本) |     |       |       |
|----------------|----------|-------|-----|-----|-------|------------|-----|-------|-------|
|                | a        | c     | e   | f   | g     |            |     |       |       |
| 110 × 30CF(S)  | 1,100    | 300   | 100 | 100 | 1,300 | 968        |     |       |       |
| 110 × 40CF(S)  |          | 400   |     |     |       | 1,068      |     |       |       |
| 110 × 50CF(S)  |          | 500   |     |     |       | 1,168      |     |       |       |
| 110 × 60CF(S)  |          | 600   |     |     |       | 1,268      |     |       |       |
| 110 × 70CF(S)  |          | 700   |     |     |       | 1,368      |     |       |       |
| 110 × 80CF(S)  |          | 800   |     |     |       | 1,468      |     |       |       |
| 110 × 90CF(S)  |          | 900   |     |     |       | 1,567      |     |       |       |
| 110 × 100CF(S) |          | 1,000 |     |     |       | 1,667      |     |       |       |
| 110 × 110CF(S) |          | 1,100 |     |     |       | 1,767      |     |       |       |
| 110 × 120CF(S) |          | 1,200 |     |     |       | 1,867      |     |       |       |
| 110 × 130CF(S) |          | 1,300 | 150 | 150 | 1,400 | 3,016      |     |       |       |
| 110 × 140CF(S) |          | 1,400 |     |     |       | 3,166      |     |       |       |
| 110 × 150CF(S) |          | 1,500 |     |     |       | 3,316      |     |       |       |
| 110 × 160CF(S) |          | 1,600 |     |     |       | 3,466      |     |       |       |
| 110 × 170CF(S) |          | 1,700 |     |     |       | 3,616      |     |       |       |
| 110 × 180CF(S) |          | 1,800 |     |     |       | 3,766      |     |       |       |
| 110 × 190CF(S) |          | 1,900 |     |     |       | 3,915      |     |       |       |
| 110 × 200CF(S) |          | 2,000 |     |     |       | 4,065      |     |       |       |
| 110 × 210CF    |          | 2,100 |     |     |       | 180        | 180 | 1,460 | 5,109 |
| 110 × 220CF    |          | 2,200 |     |     |       | 5,288      |     |       |       |
| 120 × 30CF(S)  | 1,200    | 300   | 100 | 100 | 1,400 | 1,018      |     |       |       |
| 120 × 40CF(S)  |          | 400   |     |     |       | 1,118      |     |       |       |
| 120 × 50CF(S)  |          | 500   |     |     |       | 1,218      |     |       |       |
| 120 × 60CF(S)  |          | 600   |     |     |       | 1,318      |     |       |       |
| 120 × 70CF(S)  |          | 700   |     |     |       | 1,418      |     |       |       |
| 120 × 80CF(S)  |          | 800   |     |     |       | 1,517      |     |       |       |
| 120 × 90CF(S)  |          | 900   |     |     |       | 1,617      |     |       |       |
| 120 × 100CF(S) |          | 1,000 |     |     |       | 1,717      |     |       |       |
| 120 × 110CF(S) |          | 1,100 |     |     |       | 1,817      |     |       |       |
| 120 × 120CF(S) |          | 1,200 |     |     |       | 1,917      |     |       |       |
| 120 × 130CF(S) |          | 1,300 | 150 | 150 | 1,500 | 3,091      |     |       |       |
| 120 × 140CF(S) |          | 1,400 |     |     |       | 3,241      |     |       |       |
| 120 × 150CF(S) |          | 1,500 |     |     |       | 3,391      |     |       |       |
| 120 × 160CF(S) |          | 1,600 |     |     |       | 3,540      |     |       |       |
| 120 × 170CF(S) |          | 1,700 |     |     |       | 3,690      |     |       |       |
| 120 × 180CF(S) |          | 1,800 |     |     |       | 3,840      |     |       |       |
| 120 × 190CF(S) |          | 1,900 |     |     |       | 3,990      |     |       |       |
| 120 × 200CF(S) |          | 2,000 |     |     |       | 4,140      |     |       |       |
| 120 × 210CF    |          | 2,100 |     |     |       | 180        | 180 | 1,560 | 5,199 |
| 120 × 220CF    |          | 2,200 |     |     |       | 5,379      |     |       |       |

※ 壁部に5%まで勾配を付ける事が可能です。(黄色は勾配不可)  
 ※ 勾配付き製品は、部材厚を製造する最大サイズに合わせる場合がございます。  
 ※ 防草機能付き製品は、内幅300~600mmが対象となります。



※ 呼び名 CF : 天端フラット製品 CS : 天端勾配製品

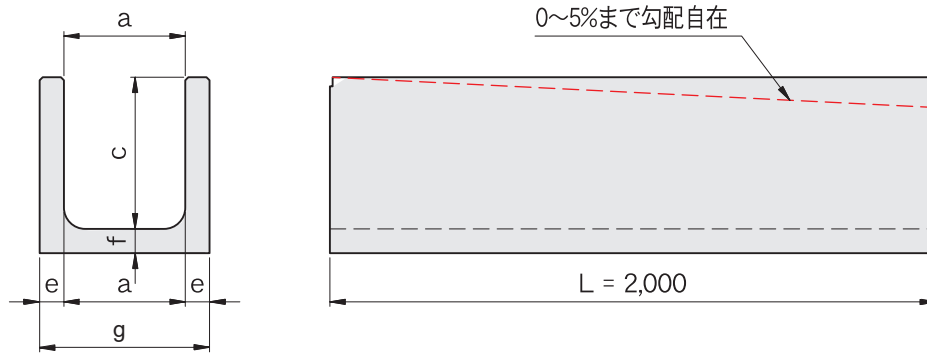
| 呼び名            | 形状寸法(mm) |       |     |     |       | 製品質量<br>(kg/本) |     |       |       |
|----------------|----------|-------|-----|-----|-------|----------------|-----|-------|-------|
|                | a        | c     | e   | f   | g     |                |     |       |       |
| 130 × 30CF(S)  | 1,300    | 300   | 100 | 100 | 1,500 | 1,068          |     |       |       |
| 130 × 40CF(S)  |          | 400   |     |     |       | 1,168          |     |       |       |
| 130 × 50CF(S)  |          | 500   |     |     |       | 1,268          |     |       |       |
| 130 × 60CF(S)  |          | 600   |     |     |       | 1,368          |     |       |       |
| 130 × 70CF(S)  |          | 700   |     |     |       | 1,468          |     |       |       |
| 130 × 80CF(S)  |          | 800   |     |     |       | 1,567          |     |       |       |
| 130 × 90CF(S)  |          | 900   |     |     |       | 1,667          |     |       |       |
| 130 × 100CF(S) |          | 1,000 |     |     |       | 1,767          |     |       |       |
| 130 × 110CF(S) |          | 1,100 |     |     |       | 1,867          |     |       |       |
| 130 × 120CF(S) |          | 1,200 |     |     |       | 1,967          |     |       |       |
| 130 × 130CF(S) |          | 1,300 | 150 | 150 | 1,600 | 3,166          |     |       |       |
| 130 × 140CF(S) |          | 1,400 |     |     |       | 3,316          |     |       |       |
| 130 × 150CF(S) |          | 1,500 |     |     |       | 3,466          |     |       |       |
| 130 × 160CF(S) |          | 1,600 |     |     |       | 3,616          |     |       |       |
| 130 × 170CF(S) |          | 1,700 |     |     |       | 3,766          |     |       |       |
| 130 × 180CF(S) |          | 1,800 |     |     |       | 3,915          |     |       |       |
| 130 × 190CF(S) |          | 1,900 |     |     |       | 4,065          |     |       |       |
| 130 × 200CF(S) |          | 2,000 |     |     |       | 4,215          |     |       |       |
| 130 × 210CF    |          | 2,100 |     |     |       | 180            | 180 | 1,660 | 5,288 |
| 130 × 220CF    |          | 2,200 |     |     |       | 5,468          |     |       |       |
| 140 × 30CF(S)  | 1,400    | 300   | 100 | 100 | 1,600 | 1,118          |     |       |       |
| 140 × 40CF(S)  |          | 400   |     |     |       | 1,218          |     |       |       |
| 140 × 50CF(S)  |          | 500   |     |     |       | 1,318          |     |       |       |
| 140 × 60CF(S)  |          | 600   |     |     |       | 1,418          |     |       |       |
| 140 × 70CF(S)  |          | 700   |     |     |       | 1,517          |     |       |       |
| 140 × 80CF(S)  |          | 800   |     |     |       | 1,617          |     |       |       |
| 140 × 90CF(S)  |          | 900   |     |     |       | 1,717          |     |       |       |
| 140 × 100CF(S) |          | 1,000 |     |     |       | 1,817          |     |       |       |
| 140 × 110CF(S) |          | 1,100 |     |     |       | 1,917          |     |       |       |
| 140 × 120CF(S) |          | 1,200 |     |     |       | 2,017          |     |       |       |
| 140 × 130CF(S) |          | 1,300 | 150 | 150 | 1,700 | 3,241          |     |       |       |
| 140 × 140CF(S) |          | 1,400 |     |     |       | 3,391          |     |       |       |
| 140 × 150CF(S) |          | 1,500 |     |     |       | 3,540          |     |       |       |
| 140 × 160CF(S) |          | 1,600 |     |     |       | 3,690          |     |       |       |
| 140 × 170CF(S) |          | 1,700 |     |     |       | 3,840          |     |       |       |
| 140 × 180CF(S) |          | 1,800 |     |     |       | 3,990          |     |       |       |
| 140 × 190CF(S) |          | 1,900 |     |     |       | 4,140          |     |       |       |
| 140 × 200CF(S) |          | 2,000 |     |     |       | 4,289          |     |       |       |
| 140 × 210CF    |          | 2,100 |     |     |       | 180            | 180 | 1,760 | 5,379 |
| 140 × 220CF    |          | 2,200 |     |     |       | 5,559          |     |       |       |



※ 呼び名 CF：天端フラット製品 CS：天端勾配製品

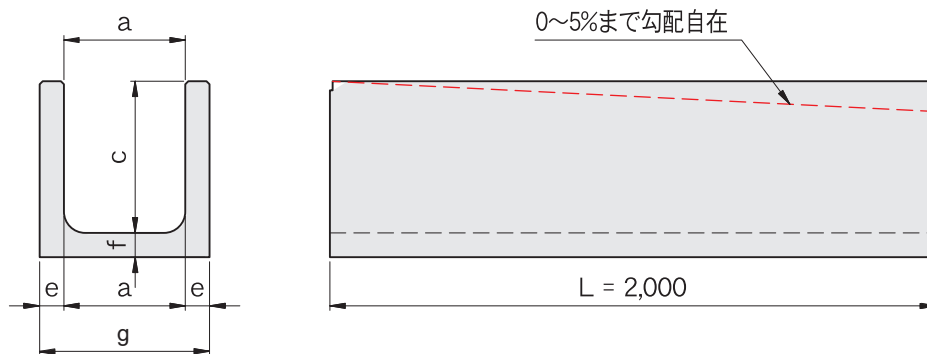
| 呼び名            | 形状寸法(mm) |       |       |     |       | 製品質量<br>(kg/本) |
|----------------|----------|-------|-------|-----|-------|----------------|
|                | a        | c     | e     | f   | g     |                |
| 150 × 30CF(S)  | 1,500    | 300   | 100   | 100 | 1,700 | 1,168          |
| 150 × 40CF(S)  |          | 400   |       |     |       | 1,268          |
| 150 × 50CF(S)  |          | 500   |       |     |       | 1,368          |
| 150 × 60CF(S)  |          | 600   |       |     |       | 1,468          |
| 150 × 70CF(S)  |          | 700   |       |     |       | 1,567          |
| 150 × 80CF(S)  |          | 800   |       |     |       | 1,667          |
| 150 × 90CF(S)  |          | 900   |       |     |       | 1,767          |
| 150 × 100CF(S) |          | 1,000 |       |     |       | 1,867          |
| 150 × 110CF(S) |          | 1,100 |       |     |       | 1,967          |
| 150 × 120CF(S) |          | 1,200 | 2,066 |     |       |                |
| 150 × 130CF(S) |          | 1,300 | 150   | 150 | 1,800 | 3,316          |
| 150 × 140CF(S) |          | 1,400 |       |     |       | 3,466          |
| 150 × 150CF(S) |          | 1,500 |       |     |       | 3,616          |
| 150 × 160CF(S) |          | 1,600 |       |     |       | 3,766          |
| 150 × 170CF(S) |          | 1,700 |       |     |       | 3,915          |
| 150 × 180CF(S) |          | 1,800 |       |     |       | 4,065          |
| 150 × 190CF(S) |          | 1,900 |       |     |       | 4,215          |
| 150 × 200CF(S) |          | 2,000 |       |     |       | 4,365          |
| 150 × 210CF    |          | 2,100 |       |     |       | 180            |
| 150 × 220CF    | 2,200    | 5,648 |       |     |       |                |
| 160 × 30CF(S)  | 1,600    | 300   | 125   | 125 | 1,850 | 1,549          |
| 160 × 40CF(S)  |          | 400   |       |     |       | 1,674          |
| 160 × 50CF(S)  |          | 500   |       |     |       | 1,799          |
| 160 × 60CF(S)  |          | 600   |       |     |       | 1,923          |
| 160 × 70CF(S)  |          | 700   |       |     |       | 2,049          |
| 160 × 80CF(S)  |          | 800   |       |     |       | 2,173          |
| 160 × 90CF(S)  |          | 900   |       |     |       | 2,298          |
| 160 × 100CF(S) |          | 1,000 |       |     |       | 2,423          |
| 160 × 110CF(S) |          | 1,100 |       |     |       | 2,548          |
| 160 × 120CF(S) |          | 1,200 | 2,672 |     |       |                |
| 160 × 130CF(S) |          | 1,300 | 2,797 |     |       |                |
| 160 × 140CF(S) |          | 1,400 | 2,922 |     |       |                |
| 160 × 150CF(S) |          | 1,500 | 3,047 |     |       |                |
| 160 × 160CF(S) |          | 1,600 | 3,171 |     |       |                |
| 160 × 170CF(S) |          | 1,700 | 150   | 150 | 1,900 | 3,990          |
| 160 × 180CF(S) |          | 1,800 |       |     |       | 4,140          |
| 160 × 190CF(S) |          | 1,900 |       |     |       | 4,289          |
| 160 × 200CF(S) |          | 2,000 |       |     |       | 4,439          |
| 160 × 210CF    |          | 2,100 | 180   | 180 | 1,960 | 5,559          |
| 160 × 220CF    | 2,200    | 5,738 |       |     |       |                |

※ 壁部に5%まで勾配を付ける事が可能です。(      は勾配不可)  
 ※ 勾配付き製品は、部材厚を製造する最大サイズに合わせる場合がございます。  
 ※ 防草機能付き製品は、内幅300~600mmが対象となります。



※ 呼び名 CF : 天端フラット製品 CS : 天端勾配製品

| 呼び名            | 形状寸法(mm) |       |     |       |       | 製品質量<br>(kg/本) |     |       |       |
|----------------|----------|-------|-----|-------|-------|----------------|-----|-------|-------|
|                | a        | c     | e   | f     | g     |                |     |       |       |
| 170 × 30CF(S)  | 1,700    | 300   | 125 | 125   | 1,950 | 1,612          |     |       |       |
| 170 × 40CF(S)  |          | 400   |     |       |       | 1,736          |     |       |       |
| 170 × 50CF(S)  |          | 500   |     |       |       | 1,862          |     |       |       |
| 170 × 60CF(S)  |          | 600   |     |       |       | 1,986          |     |       |       |
| 170 × 70CF(S)  |          | 700   |     |       |       | 2,111          |     |       |       |
| 170 × 80CF(S)  |          | 800   |     |       |       | 2,236          |     |       |       |
| 170 × 90CF(S)  |          | 900   |     |       |       | 2,361          |     |       |       |
| 170 × 100CF(S) |          | 1,000 |     |       |       | 2,485          |     |       |       |
| 170 × 110CF(S) |          | 1,100 |     |       |       | 2,610          |     |       |       |
| 170 × 120CF(S) |          | 1,200 |     |       |       | 2,735          |     |       |       |
| 170 × 130CF(S) |          | 1,300 |     |       |       | 2,860          |     |       |       |
| 170 × 140CF(S) |          | 1,400 |     |       |       | 2,984          |     |       |       |
| 170 × 150CF(S) |          | 1,500 |     |       |       | 3,110          |     |       |       |
| 170 × 160CF(S) |          | 1,600 |     |       |       | 3,234          |     |       |       |
| 170 × 170CF(S) |          | 1,700 |     |       |       | 4,065          |     |       |       |
| 170 × 180CF(S) |          | 1,800 |     |       |       | 150            | 150 | 2,000 | 4,215 |
| 170 × 190CF(S) |          | 1,900 |     |       |       | 4,365          |     |       |       |
| 170 × 200CF(S) | 2,000    | 4,515 |     |       |       |                |     |       |       |
| 170 × 210CF    | 2,100    | 180   | 180 | 2,060 | 5,648 |                |     |       |       |
| 170 × 220CF    | 2,200    | 5,828 |     |       |       |                |     |       |       |
| 180 × 30CF(S)  | 1,800    | 300   | 125 | 125   | 2,050 | 1,674          |     |       |       |
| 180 × 40CF(S)  |          | 400   |     |       |       | 1,799          |     |       |       |
| 180 × 50CF(S)  |          | 500   |     |       |       | 1,923          |     |       |       |
| 180 × 60CF(S)  |          | 600   |     |       |       | 2,049          |     |       |       |
| 180 × 70CF(S)  |          | 700   |     |       |       | 2,173          |     |       |       |
| 180 × 80CF(S)  |          | 800   |     |       |       | 2,298          |     |       |       |
| 180 × 90CF(S)  |          | 900   |     |       |       | 2,423          |     |       |       |
| 180 × 100CF(S) |          | 1,000 |     |       |       | 2,548          |     |       |       |
| 180 × 110CF(S) |          | 1,100 |     |       |       | 2,672          |     |       |       |
| 180 × 120CF(S) |          | 1,200 |     |       |       | 2,797          |     |       |       |
| 180 × 130CF(S) |          | 1,300 |     |       |       | 2,922          |     |       |       |
| 180 × 140CF(S) |          | 1,400 |     |       |       | 3,047          |     |       |       |
| 180 × 150CF(S) |          | 1,500 |     |       |       | 3,171          |     |       |       |
| 180 × 160CF(S) |          | 1,600 |     |       |       | 3,297          |     |       |       |
| 180 × 170CF(S) |          | 1,700 |     |       |       | 4,140          |     |       |       |
| 180 × 180CF(S) |          | 1,800 |     |       |       | 150            | 150 | 2,100 | 4,289 |
| 180 × 190CF(S) |          | 1,900 |     |       |       | 4,439          |     |       |       |
| 180 × 200CF(S) | 2,000    | 4,589 |     |       |       |                |     |       |       |
| 180 × 210CF    | 2,100    | 180   | 180 | 2,160 | 5,738 |                |     |       |       |
| 180 × 220CF    | 2,200    | 5,918 |     |       |       |                |     |       |       |

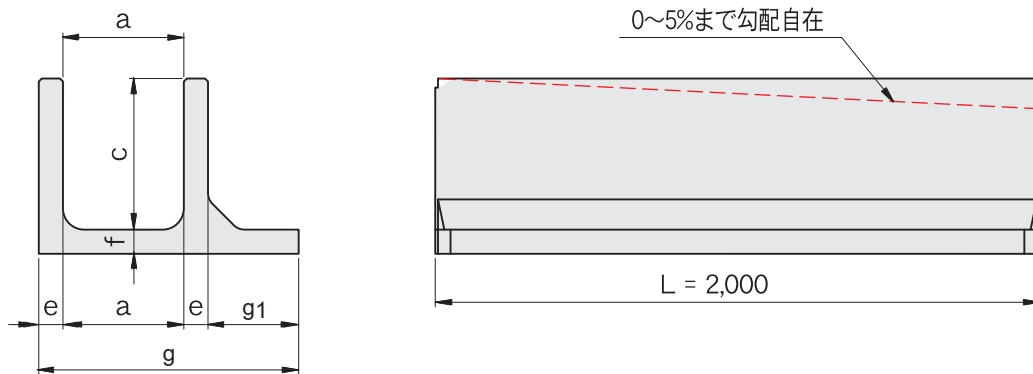


※ 呼び名 CF : 天端フラット製品 CS : 天端勾配製品

| 呼び名            | 形状寸法(mm) |       |     |     |       | 製品質量<br>(kg/本) |
|----------------|----------|-------|-----|-----|-------|----------------|
|                | a        | c     | e   | f   | g     |                |
| 190 × 30CF(S)  | 1,900    | 300   | 125 | 125 | 2,150 | 1,736          |
| 190 × 40CF(S)  |          | 400   |     |     |       | 1,862          |
| 190 × 50CF(S)  |          | 500   |     |     |       | 1,986          |
| 190 × 60CF(S)  |          | 600   |     |     |       | 2,111          |
| 190 × 70CF(S)  |          | 700   |     |     |       | 2,236          |
| 190 × 80CF(S)  |          | 800   |     |     |       | 2,361          |
| 190 × 90CF(S)  |          | 900   |     |     |       | 2,485          |
| 190 × 100CF(S) |          | 1,000 |     |     |       | 2,610          |
| 190 × 110CF(S) |          | 1,100 | 150 | 150 | 2,200 | 3,316          |
| 190 × 120CF(S) |          | 1,200 |     |     |       | 3,466          |
| 190 × 130CF(S) |          | 1,300 |     |     |       | 3,616          |
| 190 × 140CF(S) |          | 1,400 |     |     |       | 3,766          |
| 190 × 150CF(S) |          | 1,500 |     |     |       | 3,915          |
| 190 × 160CF(S) |          | 1,600 |     |     |       | 4,065          |
| 190 × 170CF(S) |          | 1,700 |     |     |       | 4,215          |
| 190 × 180CF(S) |          | 1,800 |     |     |       | 4,365          |
| 190 × 190CF(S) |          | 1,900 |     |     |       | 4,515          |
| 190 × 200CF(S) |          | 2,000 |     |     |       | 4,664          |
| 190 × 210CF    |          | 2,100 | 180 | 180 | 2,260 | 5,828          |
| 190 × 220CF    |          | 2,200 |     |     |       | 6,007          |
| 200 × 30CF(S)  | 2,000    | 300   | 125 | 125 | 2,250 | 1,799          |
| 200 × 40CF(S)  |          | 400   |     |     |       | 1,923          |
| 200 × 50CF(S)  |          | 500   |     |     |       | 2,049          |
| 200 × 60CF(S)  |          | 600   |     |     |       | 2,173          |
| 200 × 70CF(S)  |          | 700   |     |     |       | 2,298          |
| 200 × 80CF(S)  |          | 800   |     |     |       | 2,423          |
| 200 × 90CF(S)  |          | 900   |     |     |       | 2,548          |
| 200 × 100CF(S) |          | 1,000 |     |     |       | 2,672          |
| 200 × 110CF(S) |          | 1,100 | 150 | 150 | 2,300 | 3,391          |
| 200 × 120CF(S) |          | 1,200 |     |     |       | 3,540          |
| 200 × 130CF(S) |          | 1,300 |     |     |       | 3,690          |
| 200 × 140CF(S) |          | 1,400 |     |     |       | 3,840          |
| 200 × 150CF(S) |          | 1,500 |     |     |       | 3,990          |
| 200 × 160CF(S) |          | 1,600 |     |     |       | 4,140          |
| 200 × 170CF(S) |          | 1,700 |     |     |       | 4,289          |
| 200 × 180CF(S) |          | 1,800 |     |     |       | 4,439          |
| 200 × 190CF(S) |          | 1,900 |     |     |       | 4,589          |
| 200 × 200CF(S) |          | 2,000 |     |     |       | 4,739          |
| 200 × 210CF    |          | 2,100 | 180 | 180 | 2,360 | 5,918          |
| 200 × 220CF    |          | 2,200 |     |     |       | 6,098          |

※ 壁部に5%まで勾配を付ける事が可能です。(      は勾配不可)  
 ※ 勾配付き製品は、部材厚を製造する最大サイズに合わせる場合もございます。  
 ※ 防草機能付き製品は、内幅300~600mmが対象となります。

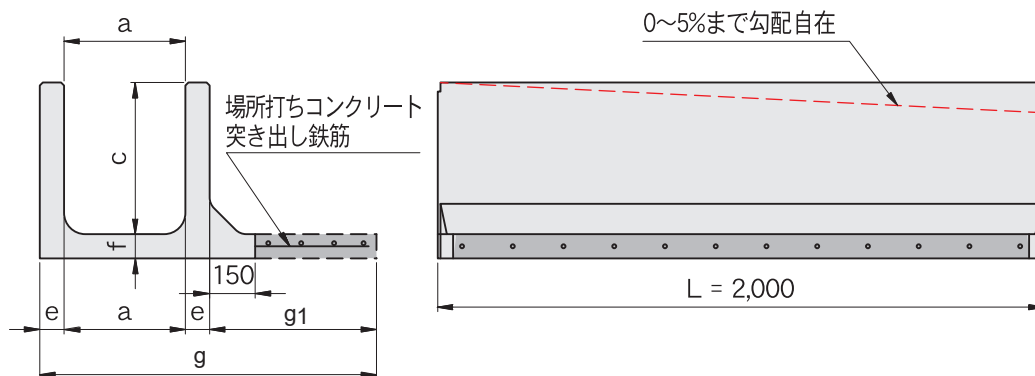
## 底版突出型



※ 呼び名 CWF : 天端フラット製品      CWS : 天端勾配製品

| 呼び名            | 形状寸法(mm) |       |       |       |       |       | 製品質量<br>(kg/本) |
|----------------|----------|-------|-------|-------|-------|-------|----------------|
|                | a        | c     | e     | f     | g1    | g     |                |
| 30 × 30CWF(S)  | 300      | 300   | 100   | 100   | 300   | 800   | 733            |
| 30 × 40CWF(S)  |          | 400   |       |       | 300   | 800   | 833            |
| 30 × 50CWF(S)  |          | 500   |       |       | 300   | 800   | 933            |
| 30 × 60CWF(S)  |          | 600   |       |       | 500   | 1,000 | 1,133          |
| 30 × 70CWF(S)  |          | 700   |       |       | 500   | 1,000 | 1,233          |
| 30 × 80CWF(S)  |          | 800   |       |       | 500   | 1,000 | 1,332          |
| 30 × 90CWF(S)  |          | 900   |       |       | 500   | 1,000 | 1,432          |
| 30 × 100CWF(S) |          | 1,000 |       |       | 800   | 1,300 | 1,682          |
| 30 × 110CWF(S) |          | 1,100 |       |       | 800   | 1,300 | 1,782          |
| 30 × 120CWF(S) |          | 1,200 |       |       | 800   | 1,300 | 1,882          |
| 30 × 130CWF(S) |          | 1,300 |       |       | 800   | 1,350 | 2,500          |
| 30 × 140CWF(S) |          | 1,400 |       |       | 125   | 125   | 800            |
| 30 × 150CWF(S) | 1,500    | 800   | 1,350 | 2,750 |       |       |                |
| 30 × 160CWF    | 1,600    | 800   | 1,350 | 2,874 |       |       |                |
| 40 × 30CWF(S)  | 400      | 300   | 100   | 100   | 500   | 1,100 | 883            |
| 40 × 40CWF(S)  |          | 400   |       |       | 500   | 1,100 | 983            |
| 40 × 50CWF(S)  |          | 500   |       |       | 500   | 1,100 | 1,083          |
| 40 × 60CWF(S)  |          | 600   |       |       | 500   | 1,100 | 1,183          |
| 40 × 70CWF(S)  |          | 700   |       |       | 500   | 1,100 | 1,283          |
| 40 × 80CWF(S)  |          | 800   |       |       | 500   | 1,100 | 1,382          |
| 40 × 90CWF(S)  |          | 900   |       |       | 500   | 1,100 | 1,482          |
| 40 × 100CWF(S) |          | 1,000 |       |       | 700   | 1,300 | 1,682          |
| 40 × 110CWF(S) |          | 1,100 |       |       | 700   | 1,300 | 1,782          |
| 40 × 120CWF(S) |          | 1,200 |       |       | 700   | 1,300 | 1,882          |
| 40 × 130CWF(S) |          | 1,300 |       |       | 700   | 1,350 | 2,500          |
| 40 × 140CWF(S) |          | 1,400 |       |       | 125   | 125   | 700            |
| 40 × 150CWF(S) | 1,500    | 900   | 1,550 | 2,874 |       |       |                |
| 40 × 160CWF(S) | 1,600    | 900   | 1,550 | 2,999 |       |       |                |
| 40 × 170CWF(S) | 1,700    | 900   | 1,600 | 3,781 |       |       |                |
| 40 × 180CWF(S) | 1,800    | 150   | 150   | 900   | 1,600 | 3,930 |                |
| 40 × 190CWF(S) | 1,900    | 900   | 1,600 | 4,080 |       |       |                |
| 40 × 200CWF    | 2,000    | 900   | 1,600 | 4,230 |       |       |                |
| 45 × 30CWF(S)  | 450      | 300   | 100   | 100   | 250   | 900   | 783            |
| 45 × 40CWF(S)  |          | 400   |       |       | 250   | 900   | 883            |
| 45 × 45CWF(S)  |          | 450   |       |       | 250   | 900   | 933            |
| 45 × 50CWF(S)  |          | 500   |       |       | 500   | 1,150 | 1,107          |
| 45 × 60CWF(S)  |          | 600   |       |       | 500   | 1,150 | 1,207          |
| 45 × 70CWF(S)  |          | 700   |       |       | 500   | 1,150 | 1,307          |
| 45 × 80CWF(S)  |          | 800   |       |       | 500   | 1,150 | 1,407          |
| 45 × 90CWF(S)  |          | 900   |       |       | 500   | 1,150 | 1,507          |
| 45 × 100CWF(S) |          | 1,000 |       |       | 700   | 1,350 | 1,706          |
| 45 × 110CWF(S) |          | 1,100 |       |       | 700   | 1,350 | 1,806          |
| 45 × 120CWF(S) |          | 1,200 |       |       | 700   | 1,350 | 1,906          |
| 45 × 130CWF    |          | 1,300 |       |       | 700   | 1,350 | 2,006          |

## 底版突出型（現場打ち併用）



※ 呼び名 CWF：天端フラット製品      CWS：天端勾配製品

| 呼び名            | 形状寸法(mm) |       |       |       |       |       | 製品質量 (kg/本) |       |       |
|----------------|----------|-------|-------|-------|-------|-------|-------------|-------|-------|
|                | a        | c     | e     | f     | g1    | g     |             |       |       |
| 50 × 30CWF(S)  | 500      | 300   | 100   | 100   | 300   | 1,000 | 833         |       |       |
| 50 × 40CWF(S)  |          | 400   |       |       | 300   | 1,000 | 933         |       |       |
| 50 × 50CWF(S)  |          | 500   |       |       | 300   | 1,000 | 1,033       |       |       |
| 50 × 60CWF(S)  |          | 600   |       |       | 600   | 1,300 | 1,283       |       |       |
| 50 × 70CWF(S)  |          | 700   |       |       | 600   | 1,300 | 1,382       |       |       |
| 50 × 80CWF(S)  |          | 800   |       |       | 600   | 1,300 | 1,482       |       |       |
| 50 × 90CWF(S)  |          | 900   |       |       | 600   | 1,300 | 1,582       |       |       |
| 50 × 100CWF(S) |          | 1,000 |       |       | 600   | 1,300 | 1,682       |       |       |
| 50 × 110CWF(S) |          | 1,100 |       |       | 600   | 1,300 | 1,782       |       |       |
| 50 × 120CWF(S) |          | 1,200 |       |       | 600   | 1,300 | 1,882       |       |       |
| 50 × 130CWF(S) |          | 1,300 |       |       | 125   | 125   | 800         | 1,550 | 2,624 |
| 50 × 140CWF(S) |          | 1,400 |       |       |       |       | 800         | 1,550 | 2,750 |
| 50 × 150CWF    | 1,500    | 800   | 1,550 | 2,874 |       |       |             |       |       |
| 60 × 30CWF(S)  | 600      | 300   | 100   | 100   | 300   | 1,100 | 874         |       |       |
| 60 × 40CWF(S)  |          | 400   |       |       | 300   | 1,100 | 974         |       |       |
| 60 × 50CWF(S)  |          | 500   |       |       | 300   | 1,100 | 1,074       |       |       |
| 60 × 60CWF(S)  |          | 600   |       |       | 300   | 1,100 | 1,174       |       |       |
| 60 × 70CWF(S)  |          | 700   |       |       | 600   | 1,400 | 1,206       |       |       |
| 60 × 80CWF(S)  |          | 800   |       |       | 600   | 1,400 | 1,306       |       |       |
| 60 × 90CWF(S)  |          | 900   |       |       | 600   | 1,400 | 1,406       |       |       |
| 60 × 100CWF(S) |          | 1,000 |       |       | 600   | 1,400 | 1,505       |       |       |
| 60 × 110CWF(S) |          | 1,100 |       |       | 600   | 1,400 | 1,605       |       |       |
| 60 × 120CWF(S) |          | 1,200 |       |       | 600   | 1,400 | 1,705       |       |       |
| 60 × 130CWF(S) |          | 1,300 |       |       | 125   | 125   | 800         | 1,650 | 2,280 |
| 60 × 140CWF(S) |          | 1,400 |       |       |       |       | 800         | 1,650 | 2,405 |
| 60 × 150CWF(S) |          | 1,500 | 800   | 1,650 |       |       | 2,530       |       |       |
| 60 × 160CWF(S) |          | 1,600 | 800   | 1,650 | 2,654 |       |             |       |       |
| 60 × 170CWF(S) |          | 1,700 | 150   | 150   | 900   | 1,800 | 3,367       |       |       |
| 60 × 180CWF(S) |          | 1,800 |       |       | 900   | 1,800 | 3,517       |       |       |
| 60 × 190CWF(S) |          | 1,900 |       |       | 900   | 1,800 | 3,666       |       |       |
| 60 × 200CWF(S) |          | 2,000 |       |       | 900   | 1,800 | 3,816       |       |       |
| 60 × 210CWF    |          | 2,100 |       |       | 900   | 1,800 | 3,966       |       |       |

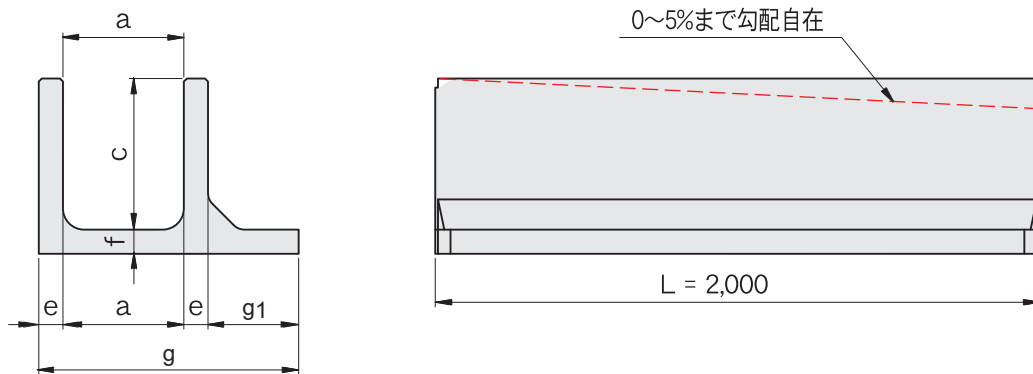
- ※ 壁部に5%まで勾配を付ける事が可能です。(  は勾配不可)
- ※  は突出部場所打ち併用型です。
- ※ 突出し鉄筋は、形状により径、本数が異なります。
- ※ 勾配付き製品は、部材厚を製造する最大サイズに合わせる場合がございます。
- ※ 防草機能付き製品は、内幅300～600mmが対象となります。



**防草タイプもございます。** 防草機能について → P.3、P.119

防草機能付き製品は、内幅300～600mmが対象となります。

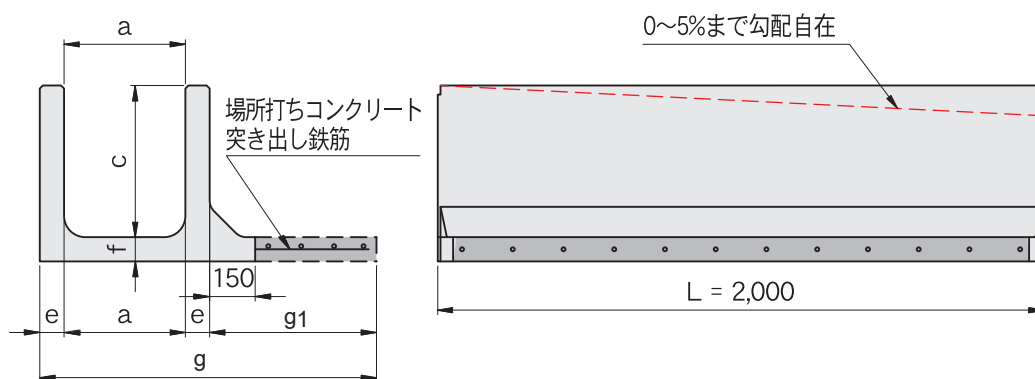
## 底版突出型



※ 呼び名 CWF：天端フラット製品 CWS：天端勾配製品

| 呼び名            | 形状寸法(mm) |       |     |     |     |       | 製品質量<br>(kg/本) |
|----------------|----------|-------|-----|-----|-----|-------|----------------|
|                | a        | c     | e   | f   | g1  | g     |                |
| 70 × 30CWF(S)  | 700      | 300   | 100 | 100 | 300 | 1,200 | 924            |
| 70 × 40CWF(S)  |          | 400   |     |     | 300 | 1,200 | 1,024          |
| 70 × 50CWF(S)  |          | 500   |     |     | 300 | 1,200 | 1,124          |
| 70 × 60CWF(S)  |          | 600   |     |     | 300 | 1,200 | 1,224          |
| 70 × 70CWF(S)  |          | 700   |     |     | 600 | 1,500 | 1,256          |
| 70 × 80CWF(S)  |          | 800   |     |     | 600 | 1,500 | 1,356          |
| 70 × 90CWF(S)  |          | 900   |     |     | 600 | 1,500 | 1,456          |
| 70 × 100CWF(S) |          | 1,000 |     |     | 600 | 1,500 | 1,555          |
| 70 × 110CWF(S) |          | 1,100 |     |     | 600 | 1,500 | 1,655          |
| 70 × 120CWF(S) |          | 1,200 |     |     | 600 | 1,500 | 1,755          |
| 70 × 130CWF(S) |          | 1,300 | 125 | 125 | 800 | 1,750 | 2,343          |
| 70 × 140CWF(S) |          | 1,400 |     |     | 800 | 1,750 | 2,467          |
| 70 × 150CWF(S) |          | 1,500 |     |     | 800 | 1,750 | 2,593          |
| 70 × 160CWF(S) |          | 1,600 |     |     | 800 | 1,750 | 2,717          |
| 70 × 170CWF(S) |          | 1,700 | 150 | 150 | 900 | 1,900 | 3,441          |
| 70 × 180CWF(S) |          | 1,800 |     |     | 900 | 1,900 | 3,591          |
| 70 × 190CWF(S) |          | 1,900 |     |     | 900 | 1,900 | 3,741          |
| 70 × 200CWF(S) |          | 2,000 |     |     | 900 | 1,900 | 3,891          |
| 70 × 210CWF    |          | 2,100 |     |     | 900 | 1,900 | 4,040          |
| 80 × 30CWF(S)  |          | 800   | 300 | 100 | 100 | 300   | 1,300          |
| 80 × 40CWF(S)  | 400      |       | 300 |     |     | 1,300 | 1,074          |
| 80 × 50CWF(S)  | 500      |       | 300 |     |     | 1,300 | 1,174          |
| 80 × 60CWF(S)  | 600      |       | 300 |     |     | 1,300 | 1,274          |
| 80 × 70CWF(S)  | 700      |       | 600 |     |     | 1,600 | 1,306          |
| 80 × 80CWF(S)  | 800      |       | 600 |     |     | 1,600 | 1,406          |
| 80 × 90CWF(S)  | 900      |       | 600 |     |     | 1,600 | 1,505          |
| 80 × 100CWF(S) | 1,000    |       | 600 |     |     | 1,600 | 1,605          |
| 80 × 110CWF(S) | 1,100    |       | 600 |     |     | 1,600 | 1,705          |
| 80 × 120CWF(S) | 1,200    |       | 600 |     |     | 1,600 | 1,805          |
| 80 × 130CWF(S) | 1,300    |       | 125 | 125 | 800 | 1,850 | 2,405          |
| 80 × 140CWF(S) | 1,400    |       |     |     | 800 | 1,850 | 2,530          |
| 80 × 150CWF(S) | 1,500    |       |     |     | 800 | 1,850 | 2,654          |
| 80 × 160CWF(S) | 1,600    |       |     |     | 800 | 1,850 | 2,780          |
| 80 × 170CWF(S) | 1,700    |       | 150 | 150 | 900 | 2,000 | 3,517          |
| 80 × 180CWF(S) | 1,800    |       |     |     | 900 | 2,000 | 3,666          |
| 80 × 190CWF(S) | 1,900    |       |     |     | 900 | 2,000 | 3,816          |
| 80 × 200CWF(S) | 2,000    |       |     |     | 900 | 2,000 | 3,966          |
| 80 × 210CWF    | 2,100    |       |     |     | 900 | 2,000 | 4,116          |

## 底版突出型（現場打ち併用）



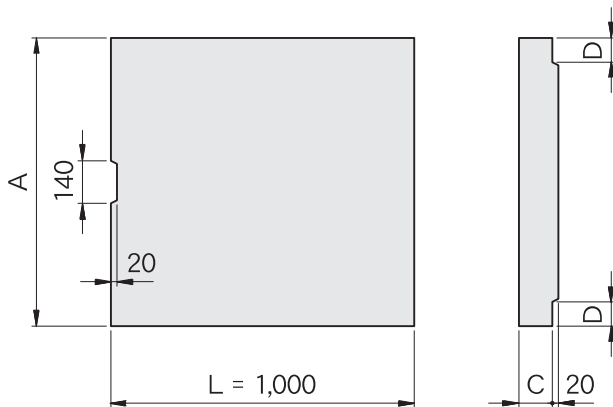
※ 呼び名 CWF：天端フラット製品      CWS：天端勾配製品

| 呼び名             | 形状寸法(mm) |       |       |       |       |       | 製品質量 (kg/本) |       |       |
|-----------------|----------|-------|-------|-------|-------|-------|-------------|-------|-------|
|                 | a        | c     | e     | f     | g1    | g     |             |       |       |
| 90 × 30CWF(S)   | 900      | 300   | 100   | 100   | 300   | 1,400 | 1,024       |       |       |
| 90 × 40CWF(S)   |          | 400   |       |       | 300   | 1,400 | 1,124       |       |       |
| 90 × 50CWF(S)   |          | 500   |       |       | 300   | 1,400 | 1,224       |       |       |
| 90 × 60CWF(S)   |          | 600   |       |       | 300   | 1,400 | 1,324       |       |       |
| 90 × 70CWF(S)   |          | 700   |       |       | 600   | 1,700 | 1,356       |       |       |
| 90 × 80CWF(S)   |          | 800   |       |       | 600   | 1,700 | 1,456       |       |       |
| 90 × 90CWF(S)   |          | 900   |       |       | 600   | 1,700 | 1,555       |       |       |
| 90 × 100CWF(S)  |          | 1,000 |       |       | 600   | 1,700 | 1,655       |       |       |
| 90 × 110CWF(S)  |          | 1,100 |       |       | 600   | 1,700 | 1,755       |       |       |
| 90 × 120CWF(S)  |          | 1,200 |       |       | 600   | 1,700 | 1,855       |       |       |
| 90 × 130CWF(S)  |          | 1,300 |       |       | 125   | 125   | 800         | 1,950 | 2,467 |
| 90 × 140CWF(S)  |          | 1,400 |       |       |       |       | 800         | 1,950 | 2,593 |
| 90 × 150CWF(S)  |          | 1,500 |       |       |       |       | 800         | 1,950 | 2,717 |
| 90 × 160CWF(S)  |          | 1,600 |       |       | 150   | 150   | 800         | 1,950 | 2,841 |
| 90 × 170CWF(S)  | 1,700    | 900   | 2,100 | 3,591 |       |       |             |       |       |
| 90 × 180CWF(S)  | 1,800    | 900   | 2,100 | 3,741 |       |       |             |       |       |
| 90 × 190CWF(S)  | 1,900    | 900   | 2,100 | 3,891 |       |       |             |       |       |
| 90 × 200CWF(S)  | 2,000    | 900   | 2,100 | 4,040 |       |       |             |       |       |
| 90 × 210CWF     | 2,100    | 900   | 2,100 | 4,190 |       |       |             |       |       |
| 100 × 30CWF(S)  | 1,000    | 300   | 100   | 100   | 300   | 1,500 | 1,074       |       |       |
| 100 × 40CWF(S)  |          | 400   |       |       | 300   | 1,500 | 1,174       |       |       |
| 100 × 50CWF(S)  |          | 500   |       |       | 300   | 1,500 | 1,274       |       |       |
| 100 × 60CWF(S)  |          | 600   |       |       | 300   | 1,500 | 1,373       |       |       |
| 100 × 70CWF(S)  |          | 700   |       |       | 600   | 1,800 | 1,406       |       |       |
| 100 × 80CWF(S)  |          | 800   |       |       | 600   | 1,800 | 1,505       |       |       |
| 100 × 90CWF(S)  |          | 900   |       |       | 600   | 1,800 | 1,605       |       |       |
| 100 × 100CWF(S) |          | 1,000 |       |       | 600   | 1,800 | 1,705       |       |       |
| 100 × 110CWF(S) |          | 1,100 |       |       | 600   | 1,800 | 1,805       |       |       |
| 100 × 120CWF(S) |          | 1,200 |       |       | 600   | 1,800 | 1,905       |       |       |
| 100 × 130CWF(S) |          | 1,300 |       |       | 150   | 150   | 800         | 2,100 | 3,067 |
| 100 × 140CWF(S) |          | 1,400 |       |       |       |       | 800         | 2,100 | 3,217 |
| 100 × 150CWF(S) |          | 1,500 |       |       |       |       | 800         | 2,100 | 3,367 |
| 100 × 160CWF(S) |          | 1,600 |       |       |       |       | 800         | 2,100 | 3,517 |
| 100 × 170CWF(S) | 1,700    | 800   | 2,100 | 3,666 |       |       |             |       |       |
| 100 × 180CWF(S) | 1,800    | 800   | 2,100 | 3,816 |       |       |             |       |       |
| 100 × 190CWF(S) | 1,900    | 900   | 2,200 | 3,966 |       |       |             |       |       |
| 100 × 200CWF(S) | 2,000    | 900   | 2,200 | 4,116 |       |       |             |       |       |
| 100 × 210CWF    | 2,100    | 180   | 180   | 900   | 2,260 | 5,167 |             |       |       |
| 100 × 220CWF    | 2,200    |       |       | 900   | 2,260 | 5,347 |             |       |       |

- ※ 壁部に5%まで勾配を付ける事が可能です。(  は勾配不可)
- ※  は突出部場所打ち併用型です。
- ※ 突出し鉄筋は、形状により径、本数が異なります。
- ※ 勾配付き製品は、部材厚を製造する最大サイズに合わせる場合がございます。
- ※ 防草機能付き製品は、内幅300~600mmが対象となります。

# 溝蓋 (車道用) 形状寸法及び製品質量

## 製品名称: TFC-C用蓋



| 呼び名                | 形状寸法(mm) |     |     | 製品質量<br>(kg/枚) |
|--------------------|----------|-----|-----|----------------|
|                    | A        | C   | D   |                |
| 30 × 30~120CF(S)   | 500      | 110 | 105 | 150            |
| 30 × 130~160CF(S)  | 550      |     | 130 | 167            |
| 40 × 30~120CF(S)   | 600      |     | 105 | 198            |
| 40 × 130~160CF(S)  | 650      | 120 | 130 | 213            |
| 40 × 170~200CF(S)  | 700      |     | 155 | 228            |
| 45 × 30~130CF(S)   | 650      | 120 | 105 | 215            |
| 50 × 30~120CF(S)   | 700      | 120 | 105 | 233            |
| 50 × 130~150CF(S)  | 750      |     | 130 | 248            |
| 60 × 30~120CF(S)   | 800      | 130 | 105 | 288            |
| 60 × 130~160CF(S)  | 850      |     | 130 | 304            |
| 60 × 170~210CF(S)  | 900      |     | 155 | 320            |
| 70 × 30~120CF(S)   | 900      | 130 | 105 | 325            |
| 70 × 130~160CF(S)  | 950      |     | 130 | 341            |
| 70 × 170~210CF(S)  | 1,000    |     | 155 | 358            |
| 80 × 30~120CF(S)   | 1,000    | 140 | 105 | 388            |
| 80 × 130~160CF(S)  | 1,050    |     | 130 | 405            |
| 80 × 170~210CF(S)  | 1,100    |     | 155 | 423            |
| 90 × 30~120CF(S)   | 1,100    | 140 | 105 | 428            |
| 90 × 130~160CF(S)  | 1,150    |     | 130 | 445            |
| 90 × 170~210CF(S)  | 1,200    |     | 155 | 463            |
| 100 × 30~120CF(S)  | 1,200    | 160 | 105 | 527            |
| 100 × 130~200CF(S) | 1,300    |     | 155 | 567            |
| 100 × 210~220CF(S) | 1,360    |     | 185 | 591            |

| 呼び名                | 形状寸法(mm) |     |     | 製品質量<br>(kg/枚) |
|--------------------|----------|-----|-----|----------------|
|                    | A        | C   | D   |                |
| 110 × 30~120CF(S)  | 1,300    | 160 | 105 | 572            |
| 110 × 130~200CF(S) | 1,400    |     | 155 | 612            |
| 110 × 210~220CF(S) | 1,460    |     | 185 | 636            |
| 120 × 30~120CF(S)  | 1,400    | 160 | 105 | 617            |
| 120 × 130~200CF(S) | 1,500    |     | 155 | 657            |
| 120 × 210~220CF(S) | 1,560    |     | 185 | 681            |
| 130 × 30~120CF(S)  | 1,500    | 180 | 105 | 737            |
| 130 × 130~160CF(S) | 1,600    |     | 155 | 782            |
| 130 × 170~220CF(S) | 1,660    |     | 185 | 809            |
| 140 × 30~120CF(S)  | 1,600    | 180 | 105 | 787            |
| 140 × 130~200CF(S) | 1,700    |     | 155 | 832            |
| 140 × 210~220CF(S) | 1,760    |     | 185 | 859            |
| 150 × 30~120CF(S)  | 1,700    | 180 | 105 | 837            |
| 150 × 130~200CF(S) | 1,800    |     | 155 | 882            |
| 150 × 210~220CF(S) | 1,860    |     | 185 | 909            |
| 160 × 30~160CF(S)  | 1,850    | 200 | 130 | 1,002          |
| 160 × 170~200CF(S) | 1,900    |     | 155 | 1,027          |
| 160 × 210~220CF    | 1,960    |     | 185 | 1,057          |
| 170 × 30~160CF(S)  | 1,950    | 200 | 130 | 1,057          |
| 170 × 170~200CF(S) | 2,000    |     | 155 | 1,082          |
| 170 × 210~220CF    | 2,060    |     | 185 | 1,112          |
| 180 × 30~160CF(S)  | 2,050    | 200 | 130 | 1,112          |
| 180 × 170~200CF(S) | 2,100    |     | 155 | 1,137          |
| 180 × 210~220CF    | 2,160    |     | 185 | 1,167          |
| 190 × 30~100CF(S)  | 2,150    | 200 | 130 | 1,167          |
| 190 × 170~200CF(S) | 2,200    |     | 155 | 1,192          |
| 190 × 210~220CF    | 2,260    |     | 185 | 1,222          |
| 200 × 30~100CF(S)  | 2,250    | 200 | 130 | 1,222          |
| 200 × 170~200CF(S) | 2,300    |     | 155 | 1,247          |
| 200 × 210~220CF    | 2,360    |     | 185 | 1,277          |

# 施工写真



TFC-UF(片高型)



TFC-UWS(片高型)



TFC-CWF(片高型)



TFC-UF(ケーブルトラフ使い)



TFC-UF(片高型)



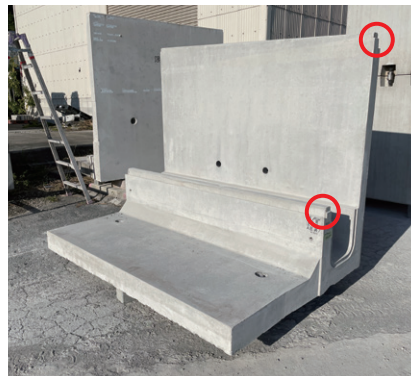
TFC-UF(片高型)



# 防草タイプ製品

自在水路 : TFC-C TFC-C(片高)  
 落蓋型自在水路 : TFC-U TFC-U(片高)

- 切り欠き部の角度によって植物の成長を止めます。
- 埋戻しがしやすい切り欠き「レ点タイプ」です。
- 防草機能がついても天端勾配自在で、**天端左右どちらにも**防草機能切り欠きを付けられます。
- 防草機能付き製品は、**内幅 300 ~ 600mm** が対象となります。



道路勾配

用地幅

あらゆる現場条件に**対応**

盛土形状

流量など

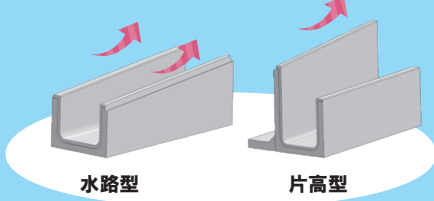
防草機能が付いても**天端勾配自在**です!

天端勾配と  
水路敷合成勾配が  
最大5%まで勾配自在

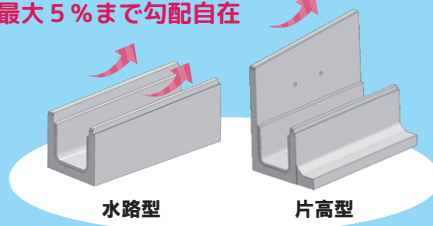
天端勾配最大  
5%まで勾配自在

天端勾配と  
水路敷合成勾配が  
最大5%まで勾配自在

天端勾配最大  
5%まで勾配自在



TFC-C 自在水路



TFC-U 落蓋型自在水路

- 道路側と民地側の高さの異なった場所に使用できる為、擁壁付き水路や土留め兼用水路として使用可能です。
- 水路幅・水路深さ・天端勾配を自由に变化させ、多様な現場状況に対応可能です。
- 「水路を道路勾配と逆に流したい」「平坦な場所で水路勾配が取れない」そんな場合に、インバートコンクリートを打たずに、製品の天端勾配によって、水路勾配を自由に設定できます。

最大勾配を超える場合には担当営業にご相談下さい。

追加の防草材料や部品を必要とせず、製品側面の切り欠き形状により雑草の成長を阻止し、コンクリートの目地構造だけで、効果を発揮します！

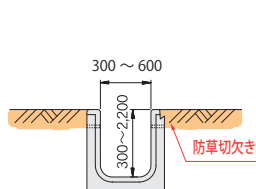
防草機能が  
付いても  
天端勾配自在

天端左右  
どちらにも  
防草切り欠きOK

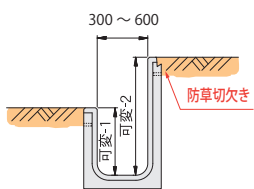
内幅  
300~600mm  
が対象

### 自在水路【TFC-C】

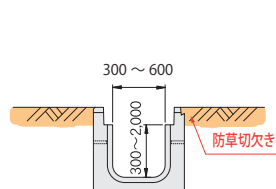
TFC-CF(S) [基本型] KGL-CWF(S) [底版突出型]



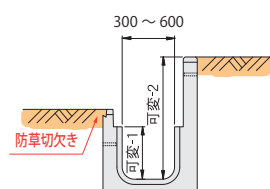
【水路型】



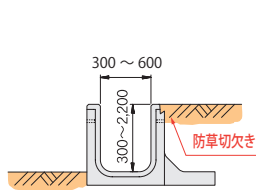
【片高型】



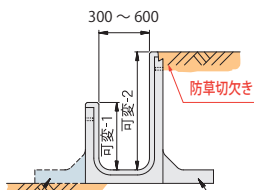
【水路型】



【片高型】

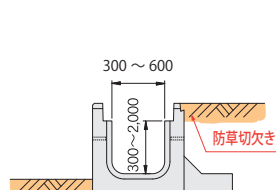


【水路型】底版突出型

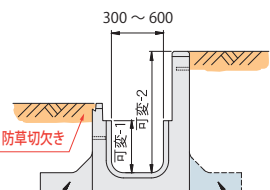


底版突出は、どちらにも対応  
サイズにより突出部分は、場所打ち併用になります。

【片高型】底版突出型



【水路型】底版突出型



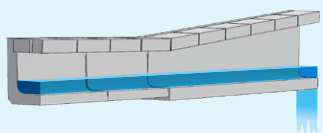
底版突出は、どちらにも対応  
サイズにより突出部分は、場所打ち併用になります。

【片高型】底版突出型

平坦な場所で水路勾配が取れない！  
水路を道路と逆に流したい！

逆勾配でも  
**自由自在**  
Free slope

インバートを打たずに  
水路を流せます！



断面図

